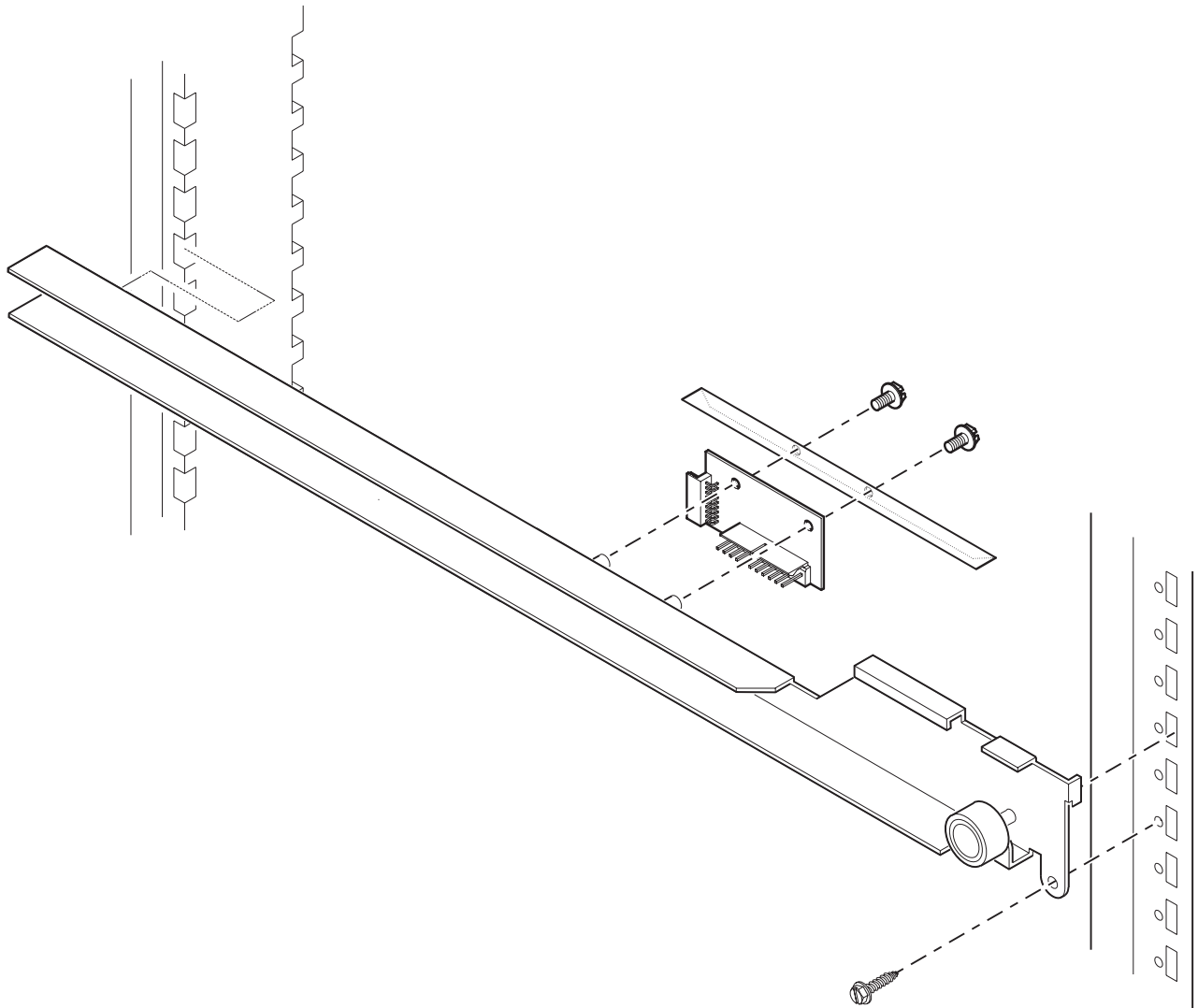


INSTRUCTIONS FOR INSTALLING A HARNESS COVER

See the figure below.

1. Turn the main power switch OFF. Disconnect all power from the machine.
2. Install the harness cover as shown.
3. Reconnect power and test for proper operation.



159p0092

1590049